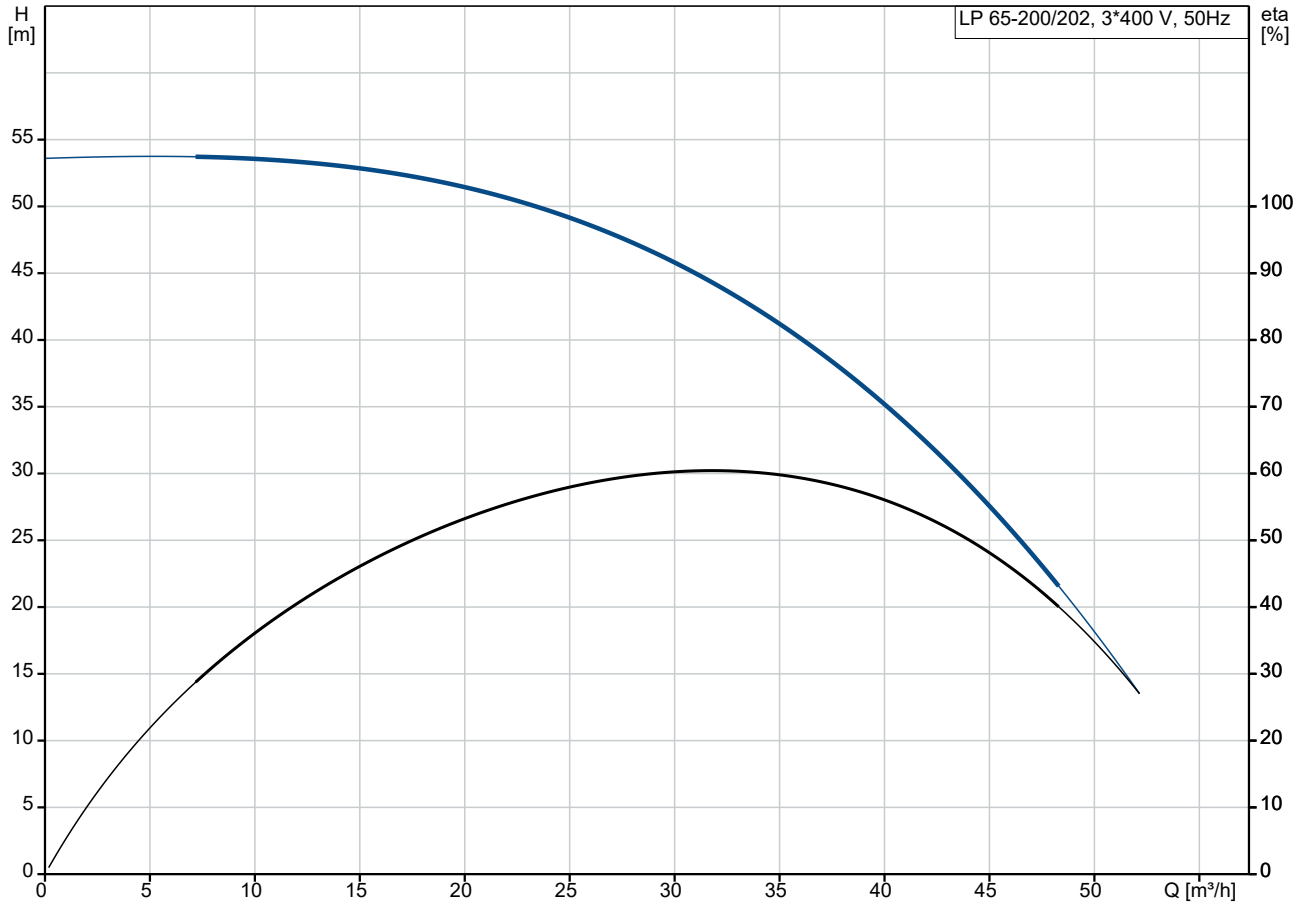
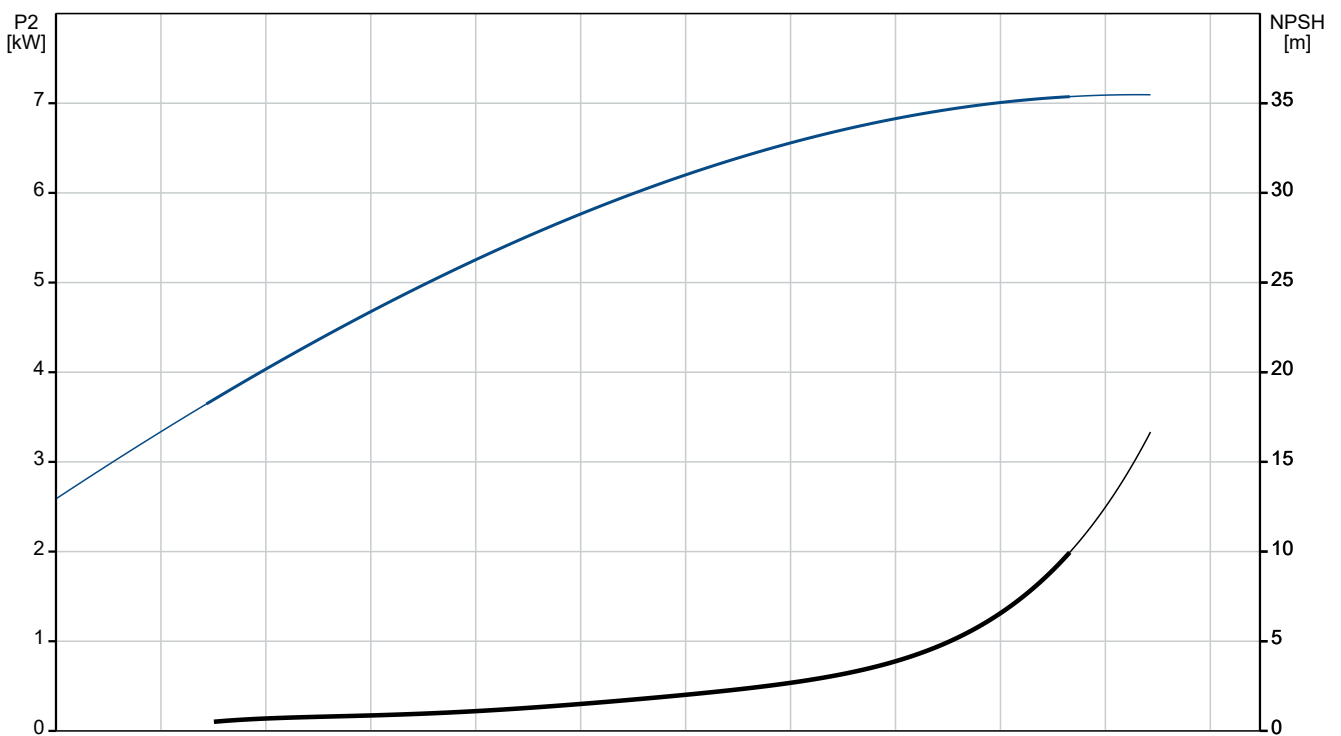


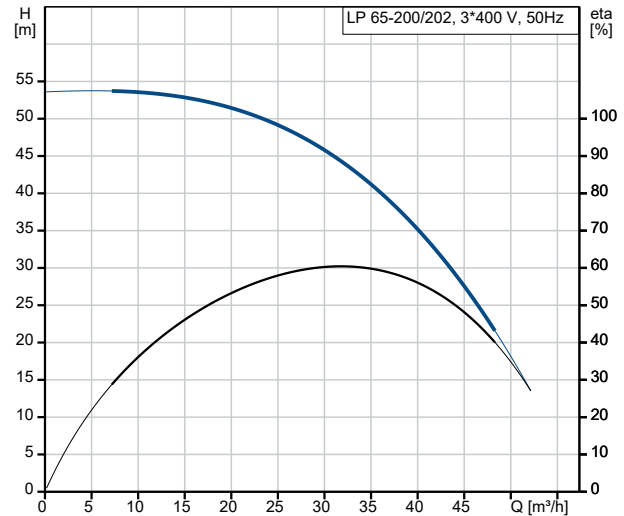
48066738 LP 65-200/202 A-F-A-BBUE 50 Hz



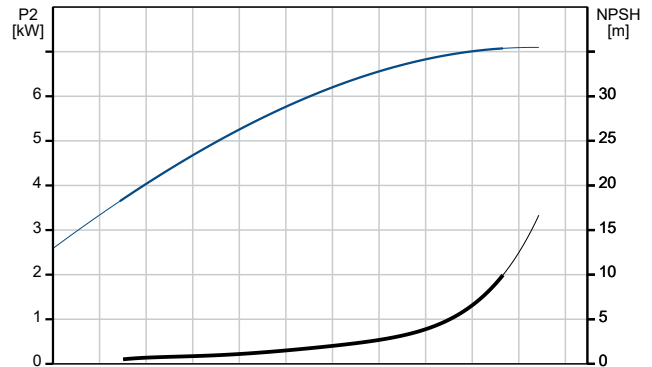
Pumped liquid = Water
Liquid temperature during operation = 20 °C
Density = 998.2 kg/m³



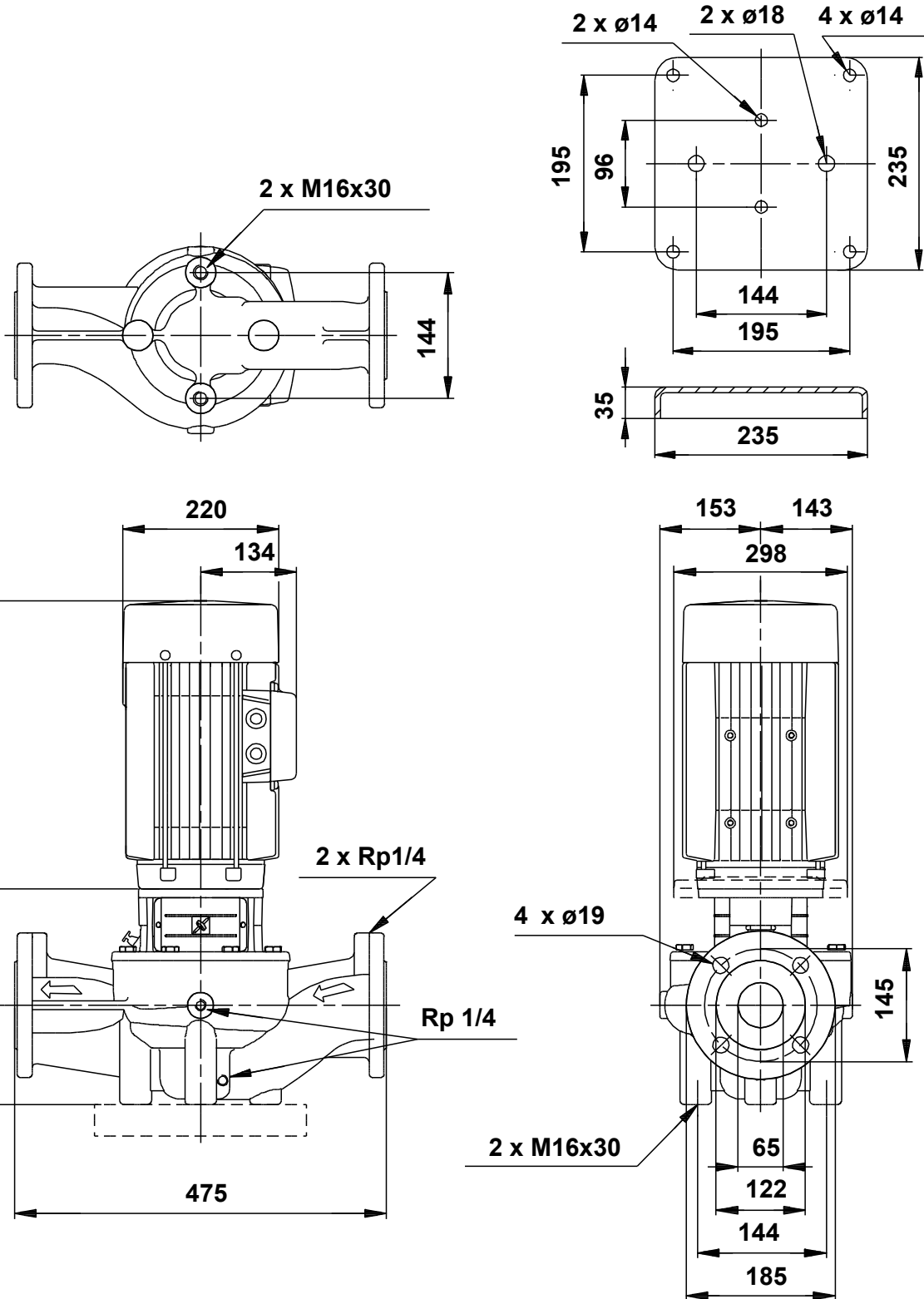
Description	Value
General information:	
Product name:	LP 65-200/202 A-F-A-BBUE
Product No:	48066738
EAN number:	5700390808587
Price:	
Technical:	
Pump speed on which pump data are based:	2900 rpm
Rated flow:	35 m ³ /h
Rated head:	42 m
Actual impeller diameter:	202 mm
Impeller nom:	200 mm
Primary shaft seal:	BBUE
Pump No:	48060038
Pump version:	A
Model:	C
Materials:	
Pump housing:	Cast iron
Pump housing:	EN-JL1040
Pump housing:	ASTM 35-40
Impeller:	Stainless steel
Impeller:	DIN W.-Nr. 1.4301
Impeller:	AISI 304
Material code:	A
Installation:	
t max amb:	40 °C
Max pressure at stated temp:	16 bar / 140 °C
Flange standard:	DIN
Pipe connection:	DN 65
Pressure rating:	PN 16
Port-to-port length:	475 mm
Flange size for motor:	FF265
Connect code:	F
Liquid:	
Pumped liquid:	Water
Liquid temperature range:	0 .. 140 °C
Selected liquid temperature:	20 °C
Density:	998.2 kg/m ³
Electrical data:	
Motor type:	132SC
Rated power - P2:	7.5 kW
Mains frequency:	50 Hz
Rated voltage:	3 x 380-415 D V
Rated current:	15.2 A
Starting current:	910-990 %
Cos phi - power factor:	0.87-0.81
Rated speed:	2890-2910 rpm
Number of poles:	2
Enclosure class (IEC 34-5):	IP55
Insulation class (IEC 85):	F
Built-in motor protection:	PTC
Motor No:	85817822
Others:	
Net weight:	93 kg
Gross weight:	104 kg
Shipping volume:	0.175 m ³



Pumped liquid = Water
 Liquid temperature during operation = 20 °C
 Density = 998.2 kg/m³



48066738 LP 65-200/202 A-F-A-BBUE 50 Hz



Note! All units are in [mm] unless others are stated.
 Disclaimer: This simplified dimensional drawing does not show all details.